

ilex®D

Redefining Mobile Imaging - From the Office Lab to the OR

High level video integration at an affordable price

Designed for ASCs, OBLs, and GI
Simple remote control of source and layout selection

The ilex D is the newest addition to the ilex family of mobile integration systems. The ilex D puts high level video integration within the reach of every budget. Additional applications include use as a slave monitor in Hybrid and IR/Cath lab installations.

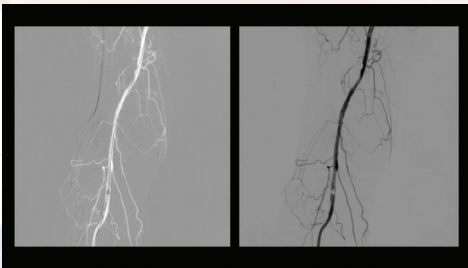
- 55" 4K, UHD monitor
- Digital-only inputs
- Multi-modality display with hybrid-like layouts with up to four digital image sources shown
- Screen layouts otherwise only seen in interventional and hybrid rooms: single, side-by-side, 1 x 2 over, 1 x 3 over and quad view
- Increased clinical detail
- Plug and play functionality

"The ilex changed my interventional strategy"

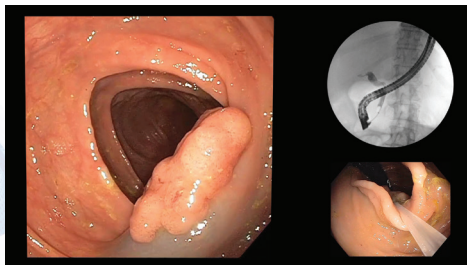
Vascular Surgeon - South Carolina



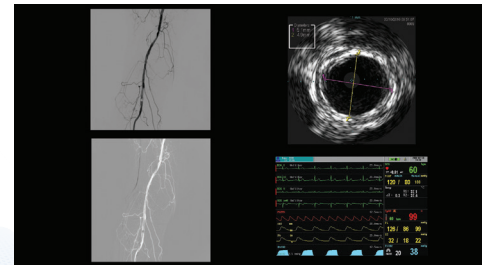
Simplicity, Versatility and Value



Split Screen/PBP



One large, two small



Quad

Easily cycle thru screen layouts with the press of a button on the remote control.



idi
imagediagnostics.com

INTELLIGENT DESIGN ► TANGIBLE OUTCOMES

ilex[®]D

Installation made easy

- Plug and play functionality.
- Connect sources, select display format; Single, PBP, 1 x 2 or Quad.
- Multi modality image optimization for color, contrast and brightness.
- On site installation in the U.S. is available (optional).
- Installation includes image optimization and operator training.



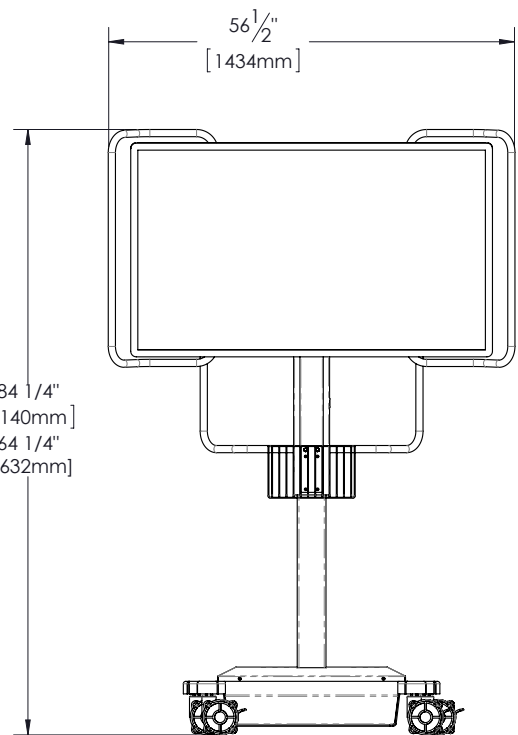
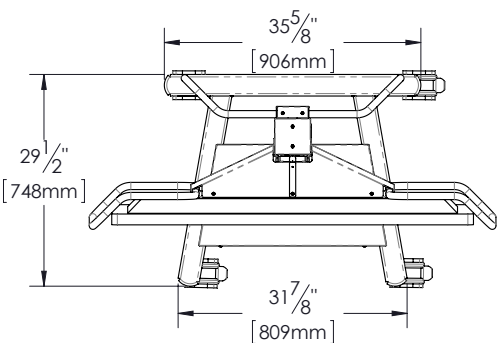
ilex Specifications

Overview

- Accepts digital inputs from multiple sources including: C-Arm, IVUS, echo, hemodynamics, microscopes, cameras, image guidance, & PACS workstations.

Features

- 55" (140cm) 4K UHD monitor
- 5" casters (125mm)
- Vertical adjustment (20")
- Remote control video formatting



Monitor*

- 4K UHD resolution, (55") 3840 x 2160 pixels
- Aspect: 16:9
- Typical Pixel Pitch .315 x .315mm
- Brightness 500cd/m²
- Contrast ratio 1100:1

Standard inputs on ilex D

- 4 – DVI
- 4 – SDI
- 1 – HDMI 2.0
- 2 – DP 1.2 (SST)
- 2 x SDI (12G) available on a special order basis

The ilex D is a digital input only device; analog sources such as VGA, S-video and the output from older GE-OEC[®] C-Arms with BNC/SOG output will require optional converters to connect and display on the ilex D.



Image Diagnostics, Inc. 310 Authority Drive Fitchburg, MA 01420 Tel: 978-829-0009
A veteran-owned company since 1986. Designed and manufactured in the U.S.
Image Diagnostics, Inc. reserves the right to update product specifications without notification.
Warranty information for IDI products is available upon request from Image Diagnostics, Inc.
L280-1136 Rev C

