

# COMPASS FLEX

Mobile suspension system



Compass Flex shown with IDI's ISR interventional / endovascular imaging table and optional 32" UHD 4K monitor

Compass Flex includes the Compass Flex base, Compass Contour Radiation shield, light head and utility track.  
Expand shielding coverage with optional rail-mounted table shielding.

**idi**  
imagediagnostics.com

INTELLIGENT DESIGN ► TANGIBLE OUTCOMES

# COMPASS FLEX

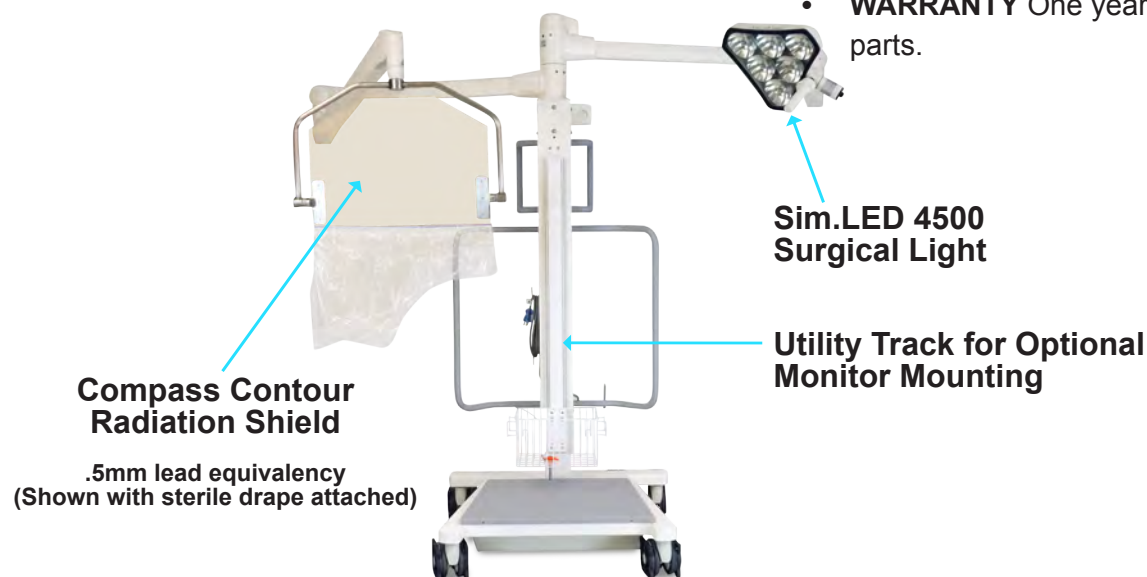
## The Compass Flex™ Mobile Suspension System Radiation Shield, Exam Light and Monitor Mount on wheels

The Compass Flex™ Suspension System provides the tools you need in your mobile imaging suite. Two flexible arms provide radiation shielding and lighting, and the central post can accommodate up to two video monitors. Best of all, the Compass Flex Suspension System is mobile, making it a low-cost, instant addition to any C-arm set up.

Until now, there has not been a mobile suspension system that enhances mobile C-Arm imaging procedures without disrupting workflow. The Compass Flex improves staff access and minimizes impact on workflow in two ways:

- Long flexible arms, typically found only in ceiling-mounted systems, allow the Compass Flex to be safely positioned further away from the imaging table than typical floor-based stands.
- An adjustable height column allows the flexible arms to be elevated above head height.

Together these positioning features give staff improved table-side patient access.



## Optional Monitors

We have three great monitor options for you that you can buy now or add at any time during the life of the Compass Flex Suspension System.

- 32" HD Monitor
- 32" 4K Monitor
- Dual 27" HD Monitors

## Why the Compass Flex is a better suspension solution

- **IT'S MOBILE** The mobility of unit allows for set up in any room.
- **LOWER COST** No special power requirements, wiring or installation.
- **INTEGRATED RADIATION SHIELDING** The Compass Contour Radiation Shield with 0.5mm lead equivalency adds more protection from direct and scatter radiation without obstructing the view of or access to your patient. The articulating suspension arm allows you to place the shield exactly where you need it.
- **INTEGRATED EXAM LIGHT** The SIMEON Sim.LED 4500 Surgical Light provides adjustable light output up to 100,000 Lux, good depth illumination, a uniform light field, smooth positioning, and low heat output/ power consumption.
- **THREE MONITOR OPTIONS** 32" HD or 4K or dual 27" HD.
- **WARRANTY** One year warranty for labor and parts.

# COMPASS FLEX

Storage Positions:



# COMPASS FLEX

## Specifications:

### Includes:

- Dual arm Compass Flex Suspension System
- Compass Contour radiation shield .5mm lead equivalency
- Sim.LED 4500 Surgical Light - 25,000 - 100,000 lx - Color Temperature 4500K

### Electrical specifications:

- 7amp (120V)

### Mechanical specifications:

- 19" height adjustment
- Steer lock caster for ease of transport
- Cable storage basket

### Warranty:

- One year parts and labor

## Optional column mounted monitors:

Monitors are available to purchase at time of order or can be added at any point during the life of the product.

- 32" HD Monitor (SOG compatible)
- 32" 4K Monitor
- Dual 27" HD Monitors

## Monitor video inputs

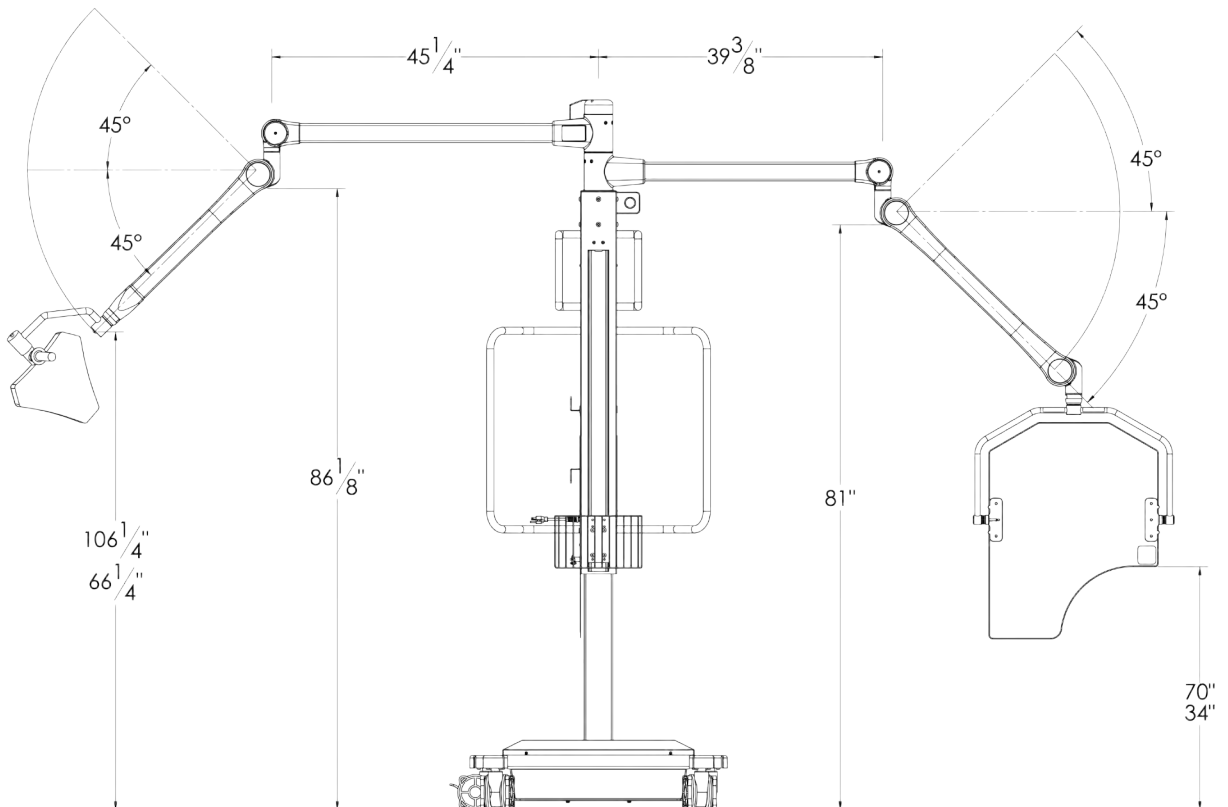
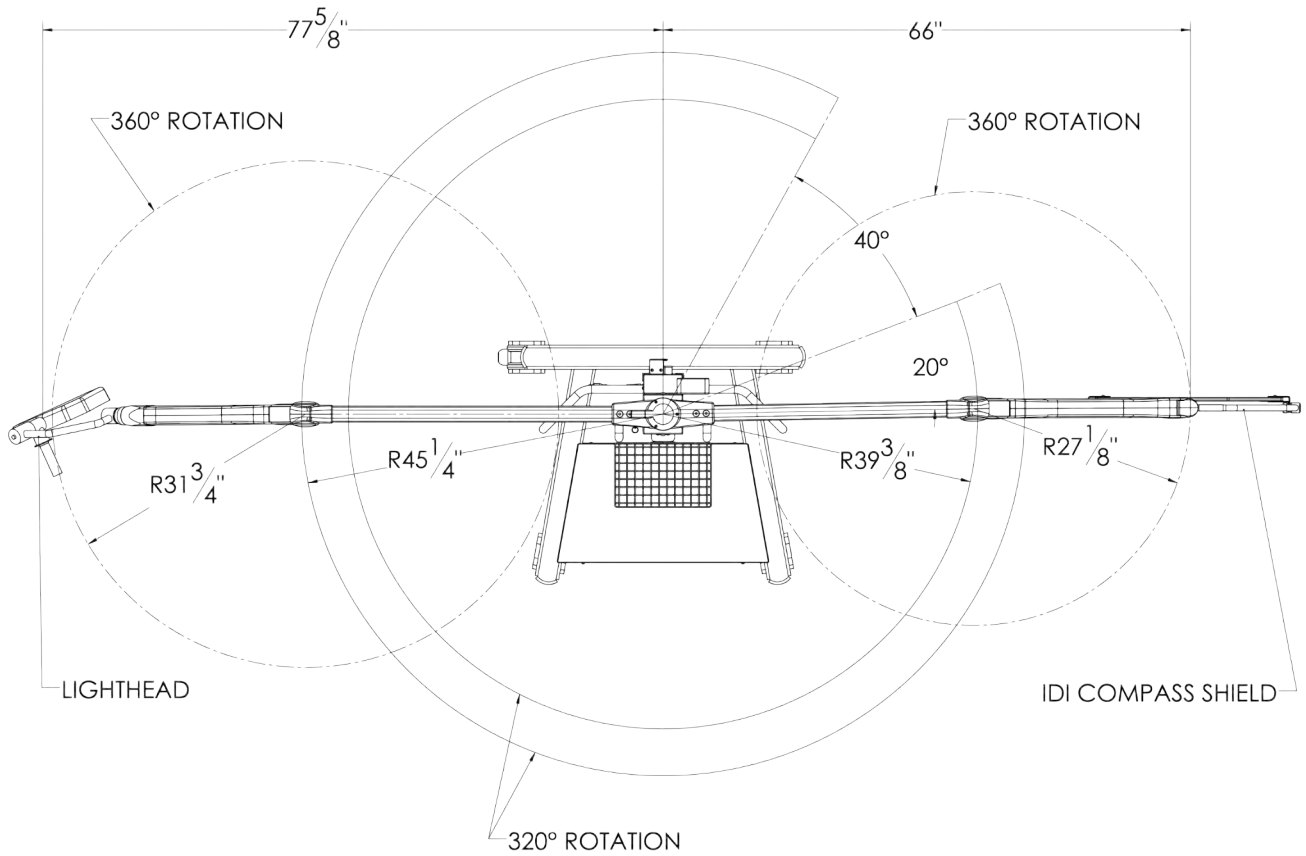
- A280-1189 – no monitor
  - No video inputs
- A280-1190 – 32" HD Monitor
  - DVI and SOG/BNC for GE OEC 9800/9900 C-Arms
- A280-1191 – 32" 4k Monitor
  - DVI or HDMI or DisplayPort
- A280-1192 – Dual 27" HD Monitors
  - DVI



Compass Flex shown with IDI's ISR table

# COMPASS FLEX

## Arm Positions



# COMPASS FLEX

## Storage / Transport Positions

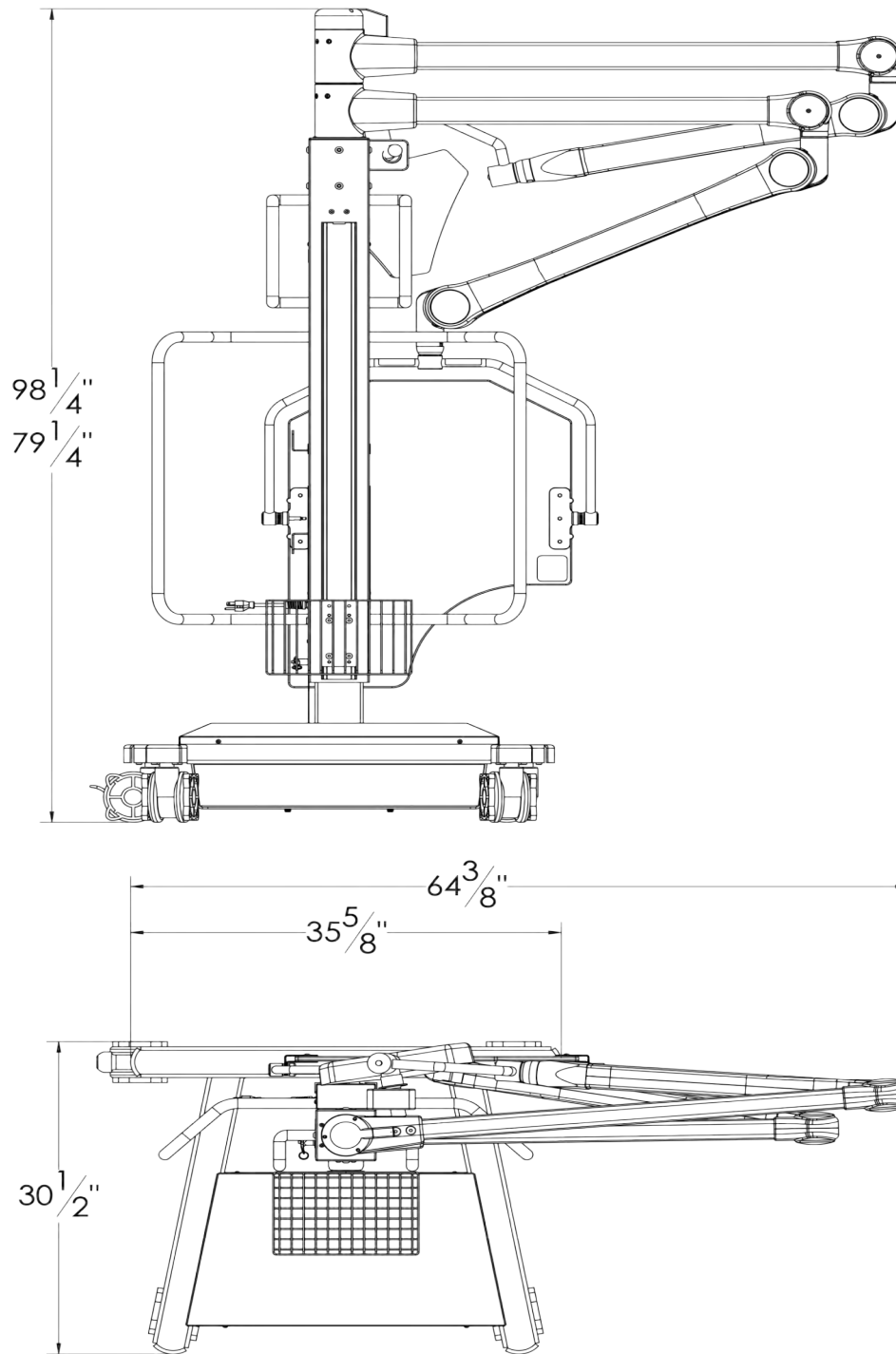


Image Diagnostics, Inc. 310 Authority Drive Fitchburg, MA 01420 Tel: 978-829-0009  
A veteran-owned company since 1986. Designed and manufactured in the U.S.  
Image Diagnostics, Inc. reserves the right to update product specifications without notification.  
\*Warranty information for IDI products is available upon request from Image Diagnostics, Inc.  
L280-1246 A

★★★★★  
Veteran-Owned  
Assembled in  
the USA with  
global materials  
★★★★★

